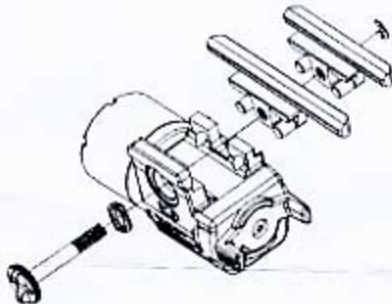


INSTRUCTIONS FOR TLR-3 USP CLAMP

USP compact clamp p/n 69224
USP full-size clamp p/n 69225



Retrofit

Refer to the TLR-3 instructions for information regarding disassembly and remove any existing key and the movable side of the rail clamp.

Install the appropriate USP adapter for your firearm in place of the moveable portion of the rail clamp and reassemble the TLR-3 using the rail key assembly instructions.

- Notes:
1. No key is used with this clamp.
 2. A screwdriver can be used (if needed) to securely fasten the e-clip.